

Water Treatment External Reverse Osmosis Filter

ITEM # _____

MODEL # _____

NAME # _____

SIS # _____

AIA # _____


864388 (REVOSFATM)

External reverse osmosis filter for single tank Dishwashers with atmosphere boiler and Ovens

Short Form Specification

Item No. _____

The external reverse osmosis is suited for installations in which high quality rinsing and spot-free drying and low operational costs are required. Thanks to the Reverse Osmosis technology, all the impurities (salts, particles and some kinds of bacteria) contained in the water are completely removed, eliminating any deposits, thus guaranteeing excellent results.

Main Features

- The reverse osmosis filter treats the water before it enters the equipment. The filter is able to remove approximately 99% of minerals in the water.
- The unit is a multi-step physical filter: a built-in prefiltering device (sediment filter and an active carbon filter) eliminates particles, chlorine and possible odors from the water; the final filtering level uses the "reverse osmosis" principle pushing high-pressure water through a semi-permeable membrane to remove more than 95% of salt and impurities.
- Flow rate of 120l/h at 15°C.
- Equipped with manual by-pass that allows, in case of malfunctions, to exclude the osmosis filter system for continuous function of the machine.
- The unit has compact dimension and can be installed in horizontal or vertical position (with the cover oriented upwards) next to the machine.
- Impurities and bacteria retained by the membrane are eliminated by self-cleaning system. Automatic membrane flushing occurs every 6 hours but it's possible to start the flushing manually.
- Electronic control with clear display shows not only Reverse osmosis filter data i.e. the residual conductivity value, the residual filter autonomy and operation hours but also alarm signals as lacks of pressure from network, filter exhaustion and water leakage.
- Reverse osmosis filter requires cold water (min 5°C, max 35°C) and feeding water pressure between 1-4 bar.
- When used with hard water (feeding water hardness > 25°dH/44°fH or conductivity > 1200µ S/cm), a water softener is recommended to reduce membrane damage and the need for descaling.
- Optional accessory of four small casters facilitates cleaning and movement.

Included Accessories

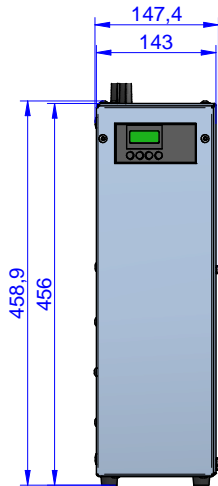
- 1 of External carbon filter for reverse osmosis PNC 864393

Optional Accessories

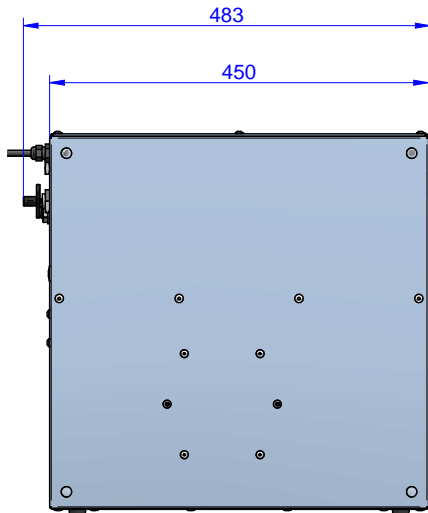
- Kit of 4 castors for reverse osmosis filter PNC 864392
- External carbon filter for reverse osmosis PNC 864393

APPROVAL: _____

Front

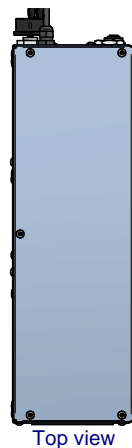


Side



CW11 = Cold Water inlet 1 (cleaning)
 EI = Electrical inlet (power)

Top



Electric

Supply voltage:	
864388 (REVOSFATM)	220-240 V/1N ph/50/60 Hz
Total Watts:	0.18 kW

Water:

Inlet water supply pressure:	1-4 bar
Water supply temperature:	
Inlet water supply hardness (MAX):	44°FH / 25°dH
Inlet water supply conductivity (MAX):	1200 µS/cm
Incoming water line size:	3/4"
Osmotised water recovery:	25 / 60 %
Water flow rate at 15°C:	2 l/min
Salt and mineral retention rate:	95 %
Upstream water softener recommended if water supply hardness °fH, °dH	> 44 / 25 °fH/°dH
Upstream water softener recommended if water chlorinated concentration	> 0.5 mg/l

Key Information:

External dimensions, Width:	143 mm
External dimensions, Depth:	483 mm
External dimensions, Height:	455 mm
Net weight:	20 kg
Packaging size (WxDxH):	400x800x680 mm